



The Lift Super Store

We make buying lifts easy!

BEST PRICE
BEST VALUE
RUGGED
& SAFE

LSS4P9PLXLAL

QUATRO-STACKER XL

DO YOU NEED A LIFT THAT GIVES YOU MORE CLEARANCE UNDER THE RUNWAYS TO ACCOMMODATE LARGER SUV'S AND TRUCKS? THEN THE QUATRO-STACKER XL 9,000 LBS 4 POST LIFT IS THE RIGHT LIFT FOR YOU. BASED ON THE SAME DESIGN CRITERIA AS OUR QUATRO-STACKER DX, THIS MODEL GIVES YOU ADDITIONAL LIFTING HEIGHT AND UNDER RUNWAY CLEARANCES OF UP TO 77". DESIGNED AND CERTIFIED TO MEET THE CONSTRUCTION AND TESTING REQUIREMENTS OF THE ANSI ALICTV2011 AND VALIDATED BY THE ALI (AUTOMOTIVE LIFT INSTITUTE) AND INTERTEK TESTING SERVICES (ETL). THE QUATRO-STACKER XL IS THE PERFECT CHOICE TO STORE AND SERVICE ALL OF YOUR LARGER "TOYS".

FEATURES

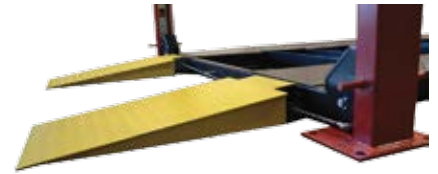
- CERTIFIED AND VALIDATED BY ALI/ETL
- 9,000 LB. LIFTING CAPACITY
- LIFTS 78" - 82" CLEAR UNDER RUNWAYS
- IDEAL PARKING, STORAGE AND SERVICE SOLUTION
- SLACK CABLE SAFETY SYSTEM
- PREMIUM POWDER COAT PAINT FINISH
- CARRIAGES COMPLETELY ENCLOSED FOR SAFETY
- SAFETY LOCKS SPACED EVERY 3"
- NORTH AMERICAN, AIRCRAFT GRADE CABLES RATED AT 14,500 LBS EACH
- 18" WIDE RUNWAYS FORMED WITH ONE PIECE 3/16" NON-SKID SURFACES
- HEAVY DUTY, SINGLE PIECE COLUMN ASSEMBLES
- EASY OPERATION
- LARGE 3" DIAMETER CYLINDER LOCATED UNDER RUNWAY WITH PREMIUM LONG LIFE SEALS (NORTH AMERICAN)



- A. US MADE MONARCH 110V OR 220V CSA/UL
- B. LOW PROFILE APPROACH (4")
- C. SLACK CABLE SAFETY SYSTEM
- D. 12 SAFETY LOCKS SPACED EVERY 3"



A



B



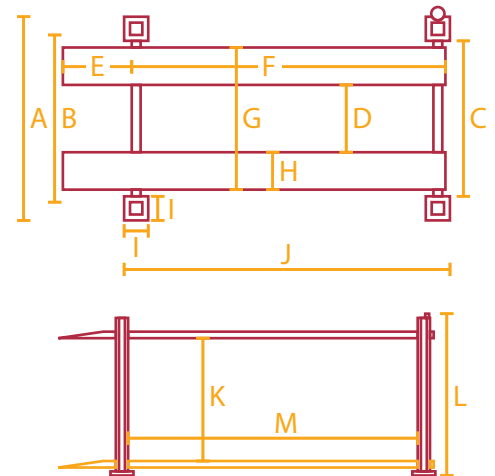
C



D

SPECIFICATIONS

A	OVERALL WIDTH	109.57"
B	INSIDE COLUMNS	100.4"
C	INSIDE SOLEPLATE OF COLUMNS	89.0"
D	BETWEEN RUNWAYS	43.4"
E	LENGTH OF RAMP	36.2"
F	LENGTH OF RUNWAY	180.5"
G	WIDTH OF OUTSIDE RUNWAY	80.7"
H	WIDTH OF RUNWAY	18.7"
I	SIZE OF SOLEPLATE	12"X10.2"
J	OVERALL LENGTH	190.6"
K	LIFTING HEIGHT	4.8" - 82.3"
L	OVERALL HEIGHT	94.1"
M	LENGTH OF COLUMNS	172.5"
	LIFTING CAPACITY	9000LBS
	NET(GROSS) WEIGHT	830 (850) KG



*FOR MORE ABOUT LIFT CERTIFICATION PLEASE VISIT WWW.AUTOLIFT.ORG

CANADA
Lift Super Store Inc.
2300 Speers Road West
Oakville Ontario
L6L 2X8

Toll free: 866-799-LIFT (5438)
www.liftsuperstore.com

USA
Lift Super Store Inc.
306 Larson Drive
Danbury CT
USA



**The Lift
Super Store**

We make buying lifts easy!